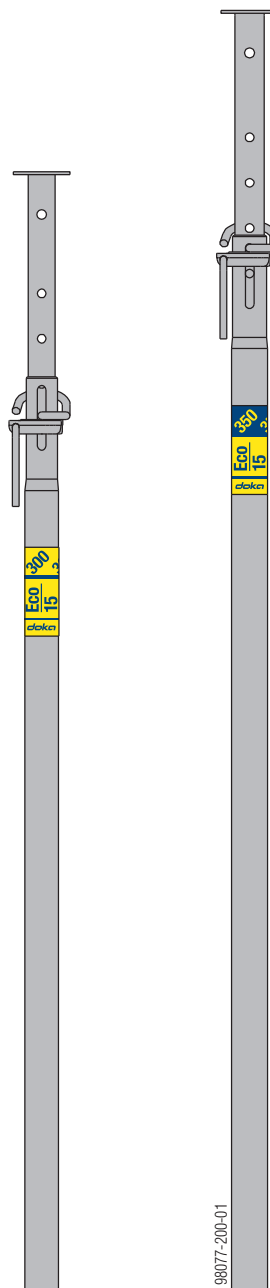


The Formwork Experts.

Floor props Eco 15

User Information

Instructions for assembly and use (Method statement)



Elementary safety warnings

User target groups

- This manual is aimed at all persons who will be working with the Doka product or system that it describes. It contains information on the standard design for setting up this system, and on correct, compliant utilisation of the system.
- All persons working with the product described herein must be familiar with the contents of this manual and with all the safety instructions it contains.
- Persons who are incapable of reading and understanding this booklet, or who can do so only with difficulty, must be instructed and trained by the customer.
- The customer is to ensure that the information materials provided by Doka (e.g. User Information booklets, Instructions for Assembly and Use, Operating Instruction manuals, plans etc.) are available to all users, and that they have been made aware of them and have easy access to them at the usage location.
- In the relevant technical documentation and formwork utilisation plans, Doka shows the workplace safety precautions that are necessary in order to use the Doka products safely in the usage situations shown.
In all cases, users are obliged to ensure compliance with national laws, Standards and rules throughout the entire project and to take appropriate additional or alternative workplace safety precautions where necessary.

Hazard assessment

- The customer is responsible for drawing up, documenting, implementing and continually updating a hazard assessment at every job-site. This document serves as the basis for the site-specific hazard assessment, and for the instructions given to users on how to prepare and utilise the system. It does not substitute for these, however.

Remarks on this document

- This manual can also be used as a generic method statement or incorporated with a site-specific method statement.
- **Many of the illustrations in this booklet show the situation during formwork assembly and are therefore not always complete from the safety point of view.**
Any safety accessories not shown in these illustrations must still be used by the customer, in accordance with the applicable rules and regulations.
- **Further safety instructions, especially warnings, will be found in the individual sections of this document!**

Planning

- Provide safe workplaces for those using the formwork (e.g. for when it is being erected/dismantled, modified or repositioned etc). It must be possible to get to and from these workplaces via safe access routes!
- **If you are considering any deviation from the details and instructions given in this booklet, or any application which goes beyond those described in the booklet, then revised static calculations must be produced for checking, as well as supplementary assembly instructions.**

Regulations; industrial safety

- All laws, Standards, industrial safety regulations and other safety rules applying to the utilisation of our products in the country and/or region in which you are operating must be observed at all times.
- If a person or object falls against, or into, the side-guard component and/or any of its accessories, the component affected may only continue in use after it has been inspected and passed by an expert.

Rules applying during all phases of the assignment:

- The customer must ensure that this product is erected and dismantled, reset and generally used for its intended purpose in accordance with the applicable laws, Standards and rules, under the direction and supervision of suitably skilled persons. These persons' mental and physical capacity must not in any way be impaired by alcohol, medicines or drugs.
- Doka products are technical working appliances which are intended for industrial/commercial use only, always in accordance with the respective Doka User Information booklets or other technical documentation authored by Doka.
- The stability of all components and units must be ensured during all phases of the construction work!
- The functional/technical instructions, safety warnings and loading data must all be strictly observed and complied with. Failure to do so can cause accidents and severe (even life-threatening) damage to health, as well as very great material damage.
- Fire-sources are not permitted anywhere near the formwork. Heating appliances are only allowed if properly and expertly used, and set up a safe distance away from the formwork.
- The work must take account of the weather conditions (e.g. risk of slippage). In extreme weather, steps must be taken in good time to safeguard the equipment, and the immediate vicinity of the equipment, and to protect employees.
- All connections must be checked regularly to ensure that they still fit properly and are functioning correctly.
It is very important to check all screw-type connections and wedge-clamped joints whenever the construction operations require (particularly after exceptional events such as storms), and to tighten them if necessary.
- It is strictly forbidden to weld Doka products – in particular anchoring/tying components, suspension components, connector components and castings etc. – or otherwise subject them to heating. Welding causes serious change in the microstructure of the materials from which these components are made. This leads to a dramatic drop in the failure load, representing a very great risk to safety.
The only articles which are allowed to be welded are those for which the Doka literature expressly points out that welding is permitted.

Assembly

- The equipment/system must be inspected by the customer before use, to ensure that it is in suitable condition. Steps must be taken to rule out the use of any components that are damaged, deformed, or weakened due to wear, corrosion or rot.
- Combining our formwork systems with those of other manufacturers could be dangerous, risking damage to both health and property. If you intend to combine different systems, please contact Doka for advice first.
- The equipment/system must be assembled and erected in accordance with the applicable laws, Standards and rules by suitably skilled personnel of the customer's, having regard to any and all required safety inspections.
- It is not permitted to modify Doka products; any such modifications constitute a safety risk.

Erecting the formwork

- Doka products and systems must be set up so that all loads acting upon them are safely transferred!

Pouring

- Do not exceed the permitted fresh-concrete pressures. Over-high pouring rates overload the formwork, cause greater deflection and risk breakage.

Striking the formwork

- Do not strike the formwork until the concrete has reached sufficient strength and the person in charge has given the order for the formwork to be struck!
- When striking the formwork, never use the crane to break concrete cohesion. Use suitable tools such as timber wedges, special pry-bars or system features such as Framax stripping corners.
- When striking the formwork, do not endanger the stability of any part of the structure, or of any scaffolding, platforms or formwork that is still in place!

Transporting, stacking and storing

- Observe all regulations applying to the handling of formwork and scaffolding. In addition, the Doka slinging means must be used - this is a mandatory requirement.
- Remove any loose parts or fix them in place so that they cannot be dislodged or fall free!
- All components must be stored safely, following all the special Doka instructions given in the relevant sections of this manual!

Maintenance

- Only original Doka components may be used as spare parts. Repairs may only be carried out by the manufacturer or authorised facilities.

Miscellaneous

We reserve the right to make alterations in the interests of technical progress.

Symbols used

The following symbols are used in this booklet:



Important note

Failure to observe this may lead to malfunction or damage.



CAUTION / WARNING / DANGER

Failure to observe this may lead to material damage, and to injury to health which may range up to the severe or even life-threatening.



Instruction

This symbol indicates that actions need to be taken by the user.



Sight-check

Indicates that you need to do a sight-check to make sure that necessary actions have been carried out.



Tip

Points out useful practical tips.

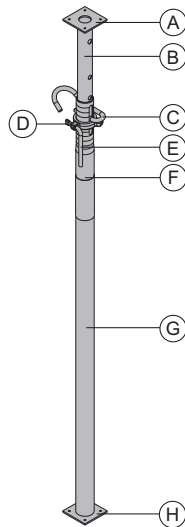


Reference

Refers to other documents and materials.

Product description

Doka floor props Eco are extendable floor props made of steel. They are designed for use as vertical props for temporary structures.



- A Head-plate
- B Inner tube
- C Fastening clamp
- D Adjusting nut
- E Toggle lever
- F Rating label
- G Outer tube
- H Baseplate

The main features:

- high load-bearing capacity
 - permitted load capacity in trials to US Standards (ANSI): 15 kN
 - permitted capacity as temporary reshores to British standards (BS): 22.5 kN
 - permitted capacity as free (non-system-dependent) construction prop (e.g. in slab-form-work systems): 15 kN
- Quick connection:

Head adapters of various types can be attached in a crane-handling-safe manner with the spring-locked connecting pin
- Drop-out latch:

For safety reasons, Doka props have latches to prevent the inner tube sliding out of the outer tube.
- special thread geometry, which makes the prop easier to release even when it is under high load
- When the prop is pushed in all the way, it still leaves a clear 10 cm gap so that the operator's hands are not trapped.
- Galvanised, long-life constructional design

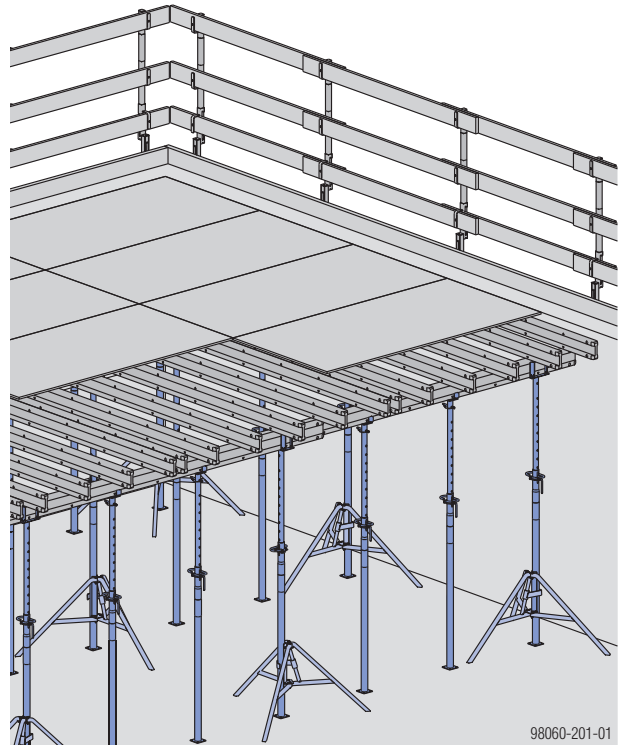


WARNING

► It is **not permitted** to use the Floor prop extension 0.50m.

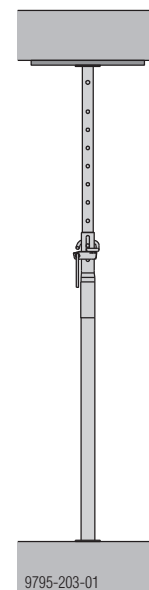
Practical examples

Dokaflex 15



Follow the directions in the "Dokaflex 15" User Information booklet!

Temporary reshores

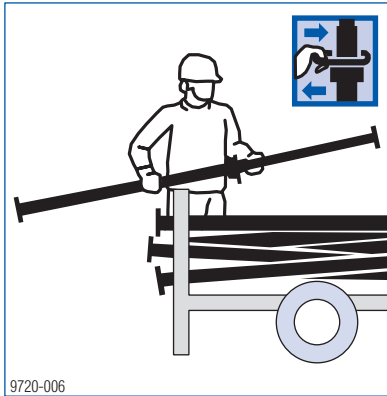


Instructions for assembly and use

Setting up with tripod

Applies only for use as free-standing props. Comply with the instructions in the applicable user information document when using the props in combination with a formwork system.

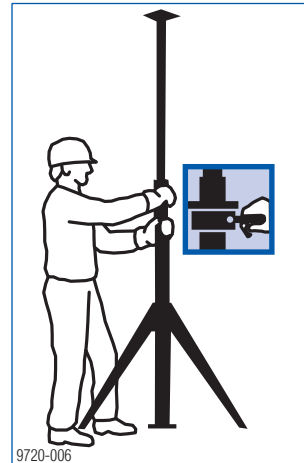
- Roughly adjust the height of the floor prop, using the fastening clamp.



- Put up each removable folding tripod.
- Put the floor prop into the tripod and fix it in place with the clamping lever. Before stepping onto the formwork, check again to make sure that the props have been correctly fixed in the tripods.



- With the prop upright, use the adjusting nut for precision adjustment.

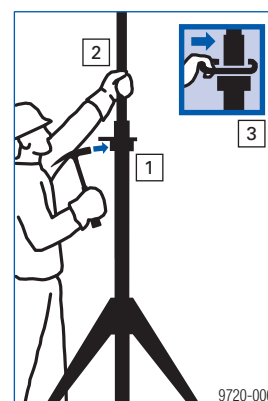


Setting up without tripod

- To prevent toppling, use retaining head DF15 to secure intermediate props for floor formwork (see user information document for Dokaflex 15).
- When using props as temporary reshoring, press them sufficiently tightly to the underside of the floor slab so that they cannot topple.

Backing off floor props under load

- 1) Use a hammer to back off the adjusting nut.
- 2) Hold the inner tube with one hand.
- 3) Open the fastening clamp to unfix the inner tube. Guide this by hand while lowering it into the outer tube.



Possible incorrect usages

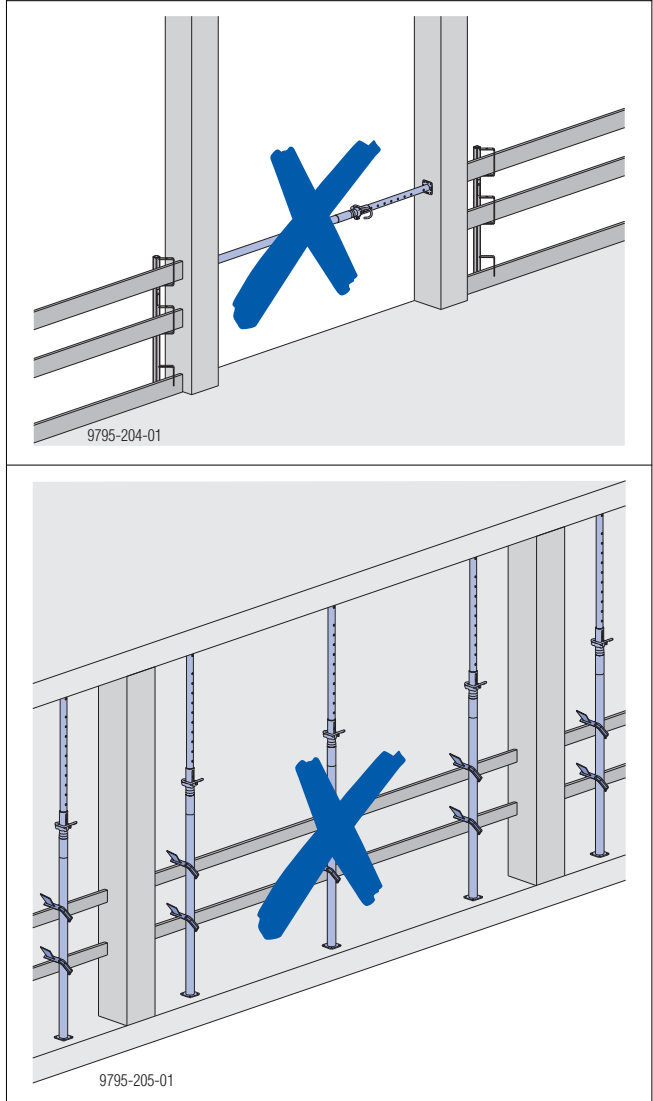


WARNING

► The uses illustrated below are prohibited, as are other, similar uses!

<p>Use only perfectly upright and plumb.</p>	<p>Baseplate must make full-surface contact with the ground.</p>
<p>Place only on ground of adequate load-bearing strength.</p>	
<p>Do not attempt to use floor props one on top of another.</p>	<p>Do not use anchor rods or lengths of rebar as substitutes for the fastening clamps.</p>
<p>Do not use to support formwork panels.</p>	<p>Do not use as trenching braces.</p>

Do not use as barrier to close off openings.



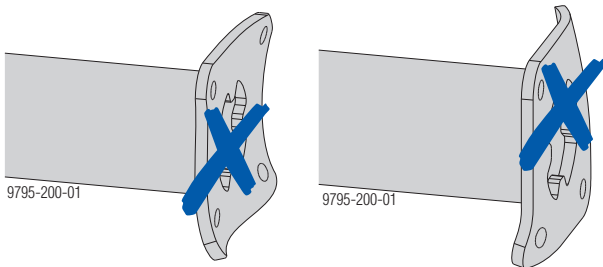
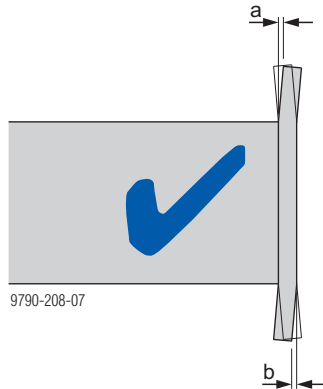
Technical condition

The following quality criteria define the extent of damage permissible in terms of load-bearing strength. Use is prohibited if damage is beyond these limits.

Outer tube - inner tube

Head plate or baseplate bent out of shape

- **a max. 1 mm** outward and
- **b max. 3 mm** inward is permissible



Threads

- must be greased over entire length and action must be smooth.

Inner tube

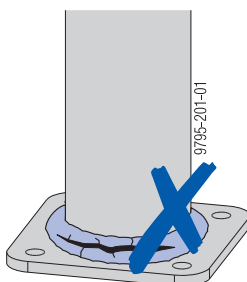
- When the inner tube is rotated inside the outer tube so that the U-bolt fixing-holes of both tubes are lined up, it must be possible to fully extend and retract the inner tube.

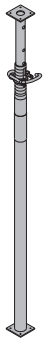
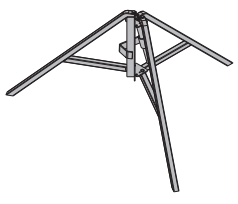
Widening

- of the pegging holes in the inner tube is permissible up to 2 mm.

Cracks in welds

- Not permissible.



	[kg]	Article n°	[kg]	Article n°
Doka floor prop Eco 15 300 Length: 172 - 300 cm	13.0	586290000		
Doka floor prop Eco 15 350 Length: 197 - 350 cm Doka-Deckenstützen Eco 15	14.5	586291000		
 Galvanised				
Removable folding tripod DF15 Stützbein DF15	9.4	586294000		
 Galvanised Height: 67.5 cm Delivery condition: folded closed				

Near to you, worldwide

Doka is one of the world leaders in developing, manufacturing and distributing formwork technology for use in all fields of the construction sector.

With more than 160 sales and logistics facilities in over 70 countries, the Doka Group has a highly efficient distribution network which ensures that equipment and

technical support are provided swiftly and professionally.

An enterprise forming part of the Umdasch Group, the Doka Group employs a worldwide workforce of more than 5600.

